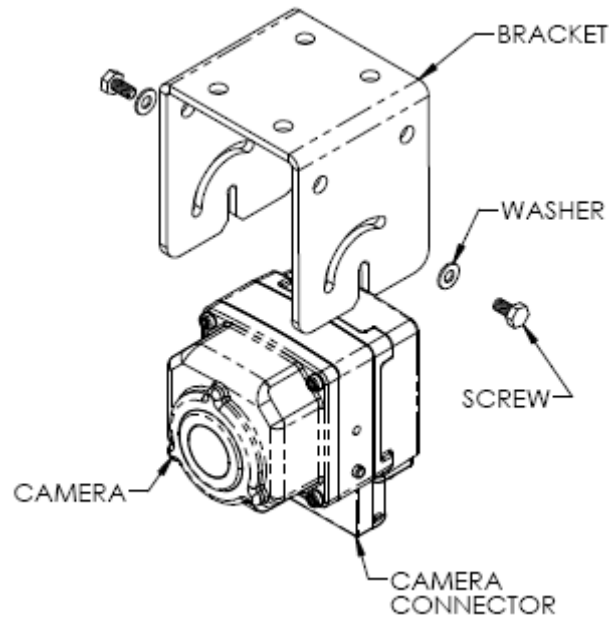


PP803788 PathFindIR™ Kit with Monitor

Installation Instructions

1. Select a location on the front of the vehicle for installation of the PathFindIR™ camera. The camera should be mounted high enough to show a clear view of the road ahead, and where it is unlikely to be damaged by road debris. The camera must be mounted outside of the cab, because the camera cannot see through glass. The mounting bracket allows the camera to be mounted either below a horizontal surface, or in front of a vertical surface. NOTE: Allow at least 3" (75mm) below the bottom of the camera connector for the strain relief and bend of the cable.



2. Secure the mounting bracket to the vehicle (fasteners not supplied). Insert the camera into the bracket, with the pins on the camera fitting the open ended slots in the bracket. Install the hex head screws and washers through the bracket and into the threaded holes in the sides of the camera. Do not fully tighten the screws so that the camera may be aimed once the monitor is installed.
3. Install the cable onto the camera and run the cable into the cab to the position chosen for the monitor. Protect the cable from damage when passing through holes in sheet metal.
4. Install the monitor as desired (the monitor can be mounted either flush in the instrument panel or on the swiveling mount). Connect the red single wire to the switched side of the ignition circuit and the black single wire to ground. Plug the RCA connector into the socket on the lower right hand corner of the front of the monitor.
5. Turn on the ignition and press the SEL button on the front of the monitor until the "DVD" in yellow and "FLIR" in white appear in the upper right hand corner of the screen. Adjust the camera to the desired position and tighten the hex head screws to secure it. NOTE: The threads in the camera housing are self-locking, and resistance will be felt as the screws are tightened to 25 INCH LBS. MAX. torque.